



# RM50N

## miniature relays



- DC coils - of up to 48 V DC, low coil power 0,36 W
- For PCB
- Small dimensions, light weight
- Applications: for household electrical appliance, automation control, telecommunication devices, machinery electrical equipment
- Recognitions, certifications, directives: RoHS,  

### Contact data

Number and type of contacts		1 CO, 1 NO
Contact material		<b>AgSnO<sub>2</sub></b>
Rated / max. switching voltage	AC	250 V / 277 V
	DC	28 V / 110 V
Min. switching voltage		5 V
Rated load	AC1	6 A / 250 V AC 12 A / 125 V AC
	DC1	12 A / 28 V DC
Motor load	acc. to UL 508	1/3 HP      250 V AC, single-phase motor
Min. switching current		15 mA
Rated current		12 A
Max. breaking capacity	AC1	1 500 VA
Contact resistance		≤ 100 mΩ

### Coil data

Rated voltage	DC	5, 9, 12, 24, 48 V
Must release voltage		DC: ≥ 0,1 U <sub>n</sub>
Operating range of supply voltage		see Table 1
Rated power consumption	DC	0,36 W

### Insulation according to EN 60664-1

Insulation resistance		250 MΩ	500 V DC, 60 s
Dielectric strength	• between coil and contacts	1 500 V AC	type of insulation: basic
	• contact clearance	750 V AC	type of clearance: micro-disconnection
Contact - coil distance	• clearance	≥ 1,9 mm	
	• creepage	≥ 1,9 mm	

### General data

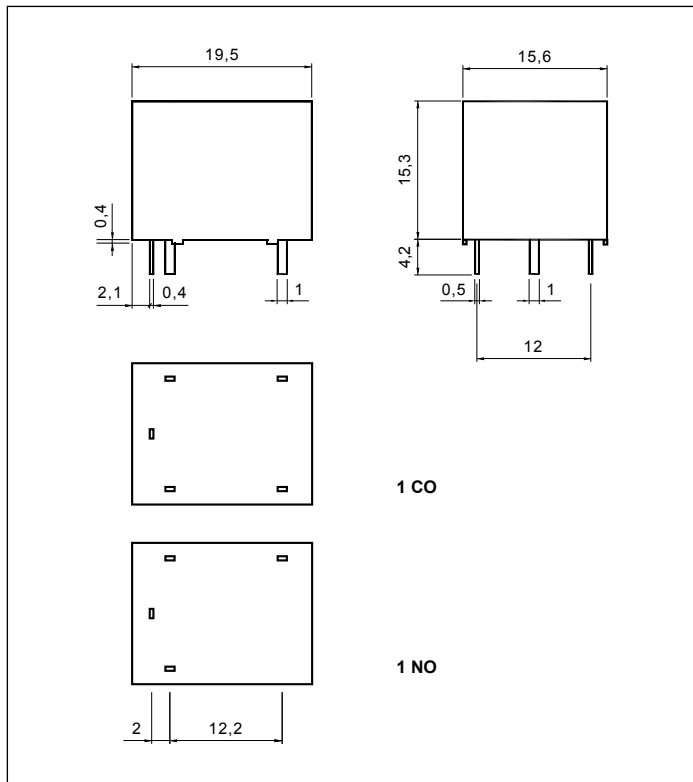
Operating / release time (typical values)		10 ms / 5 ms	
Electrical life (number of cycles)	• resistive AC1	360 cycles/hour	10 <sup>5</sup> 6 A, 250 V AC 10 <sup>5</sup> 12 A, 125 V AC (UL)
	• resistive DC1	360 cycles/hour	10 <sup>5</sup> 12 A, 28 V DC (UL)
	Mechanical life	18 000 cycles/hour	10 <sup>7</sup>
Dimensions (L x W x H)		19,5 x 15,6 x 15,3 mm	
Weight		9,5 g	
Ambient temperature (non-condensation and/or icing)	• operating	-55...+85 °C	
Cover protection category		IP 67      EN 60529	
Environmental protection		RTIII      EN 61810-1	
Shock resistance		10 g	
Vibration resistance		1,5 mm DA (constant amplitude)      10...55 Hz	
Solder bath temperature		max. 260 °C	
Soldering time		max. 5 s	

The data in bold type relate to the standard versions of the relays.

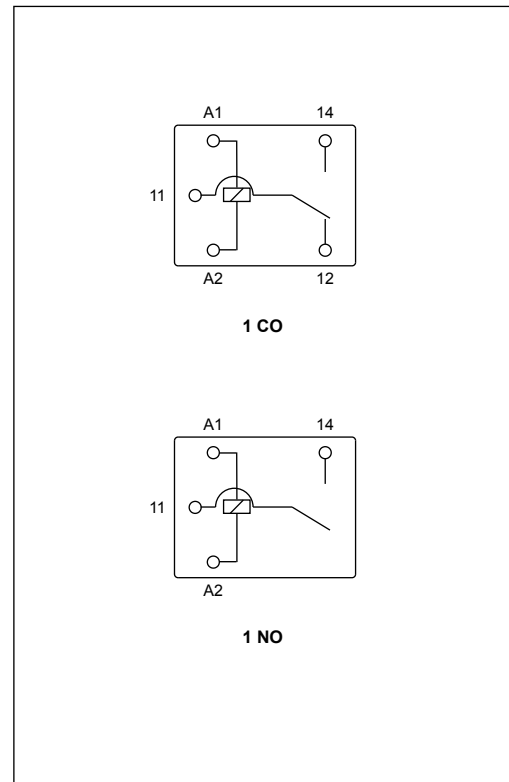
# RM50N

miniature relays

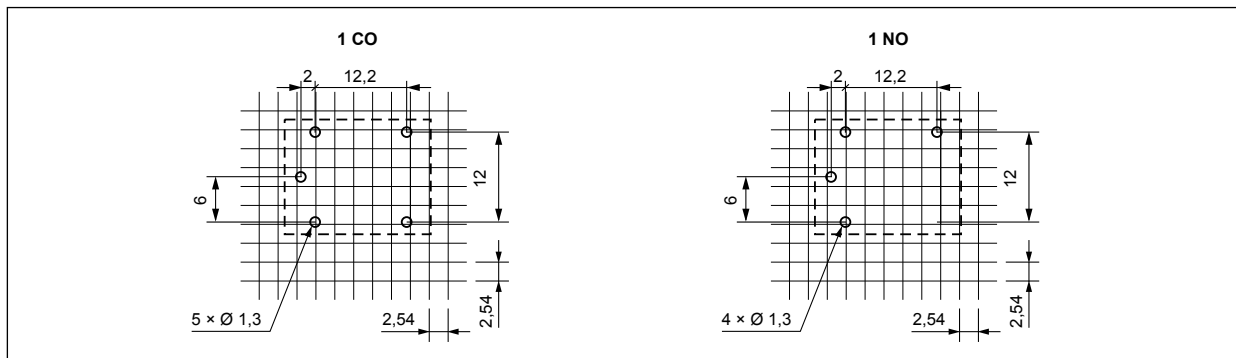
## Dimensions



## Connection diagrams (pin side view)



## Pinout (solder side view)



## Mounting

Relays **RM50N** are designed for direct PCB mounting.

# RM50N

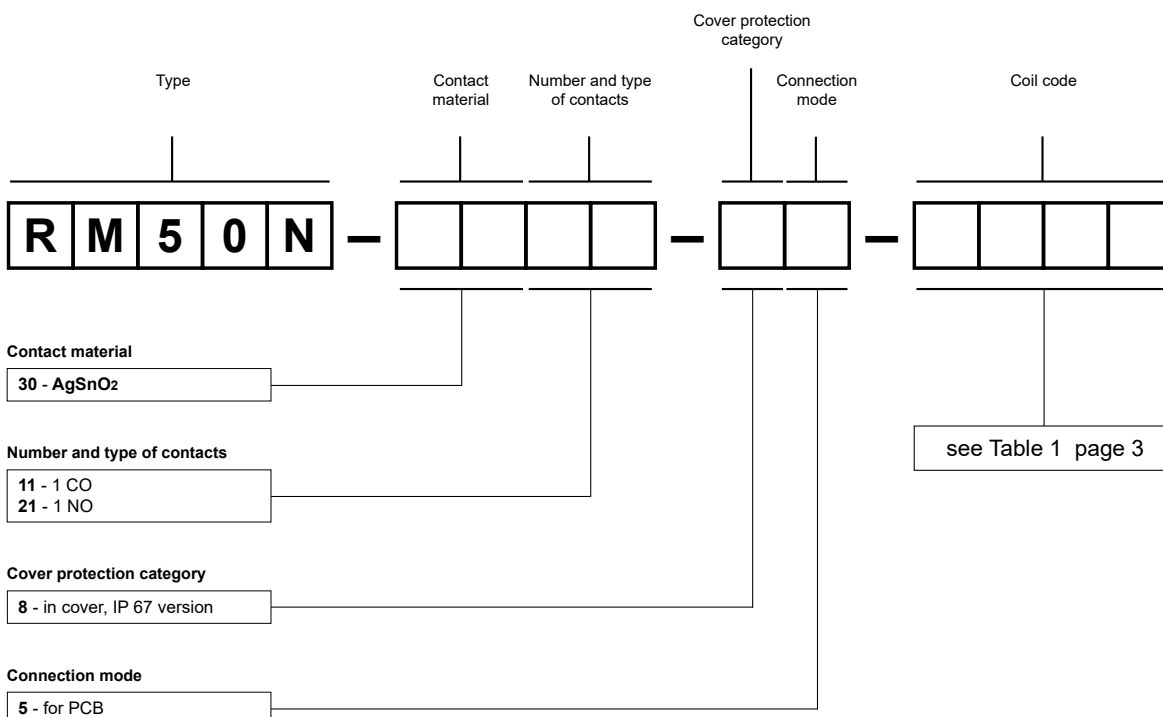
miniature relays

Coil data - DC voltage version

Table 1

Coil code	Rated voltage V DC	Coil resistance at 20 °C Ω	Acceptable resistance	Coil operating range V DC	
				min. (at 20 °C)	max. (at 20 °C)
1005	5	70	± 10%	3,75	6,5
1009	9	225	± 10%	6,75	11,7
1012	12	400	± 10%	9,00	15,6
1024	24	1 600	± 10%	18,00	31,2
1048	48	6 400	± 10%	36,00	62,4

## Ordering codes



Examples of ordering codes:

**RM50N-3011-85-1012** relay **RM50N**, for PCB, one changeover contact, contact material AgSnO<sub>2</sub>, coil voltage 12 V DC, in cover IP 67

**RM50N-3021-85-1024** relay **RM50N**, for PCB, one normally open contact, contact material AgSnO<sub>2</sub>, coil voltage 24 V DC, in cover IP 67

### PRECAUTIONS:

1. Ensure that the parameters of the product described in its specification provide a safety margin for the appropriate operation of the device or system and never use the product in circumstances which exceed the parameters of the product. 2. Never touch any live parts of the device. 3. Ensure that the product has been connected correctly. An incorrect connection may cause malfunction, excessive heating or risk of fire. 4. In case of any risk of any serious material loss or death or injuries of humans or animals, the devices or systems shall be designed so to equip them with double safety system to guarantee their reliable operation.